

# Catalogue Of Cardans

## Catálogo de Cardans

# ZHENGDA CHANG



Slip Yoke

Slip Yoke for CV

Transmission Yoke

Transmission Yoke for CV

Flange Yoke



Yoke shaft

Spined stub

Midship stub

Splined Midship stub

Weld Yoke



[www.zdcardan.com](http://www.zdcardan.com)

## Partes para Eje Cardan - Bridas de Acople (Cardan, de Caja, Del Eje)

FIG. 01

**Terminal de Acople por Clavos**

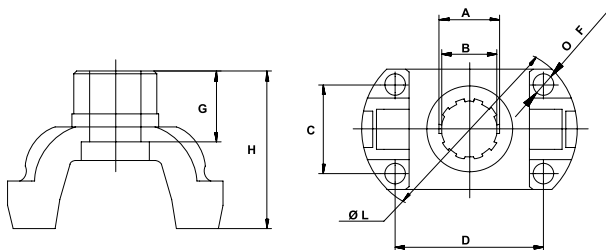


FIG. 02

**Brida de Acople Circular**

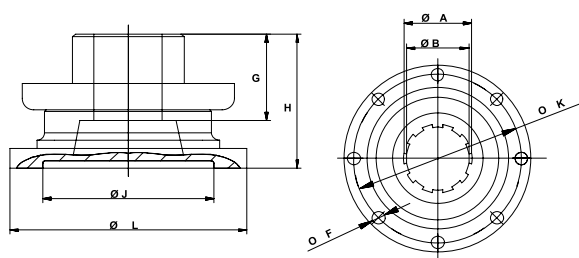


FIG. 03

**Brida de Acople Rectangular**

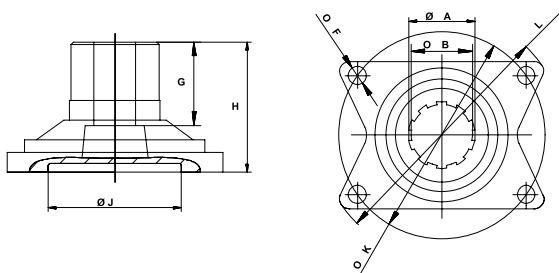


FIG. 04

**Brida de Acople por Soporte**

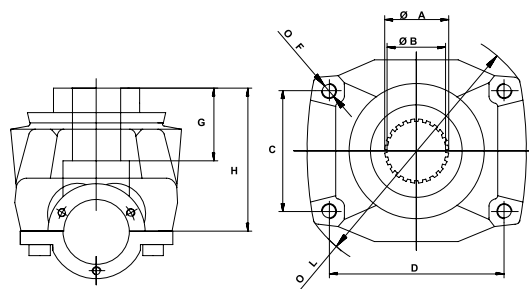


FIG. 05

**Terminal Cerrado de Acople**

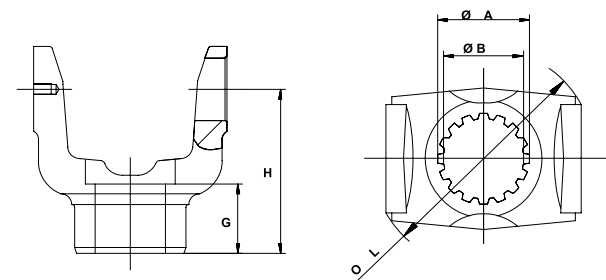
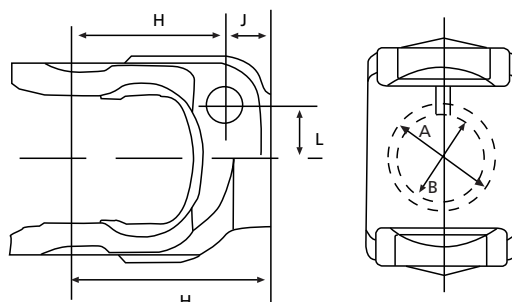


FIG. 06



**HTSP**

Tel./Fax:0086-532-83186579

Hotline:0086-15063010750

E-mail:sales@zdcardan.com

**Agrale**

Number			Figer	Aplication						
ZDC	Original	Spicer								
861-01		04-852-1	1	F-14000	F-19000	F-22000				
861-03		3-4-3091-1	1	6.0 TCA	7500TDX	MWM4.10T				MA8.5T MWM4.10T

**Ford**

Number			Figer	Aplication						
ZDC	Original	Spicer								
861-04		3-4-3091-1	1	F-1000	F-11000	F-19000	F-21000	F-7000		
861-03	87TU4865AA	3-4-3091-2	1	F-700	F-750	F-11000	F-12000	F-13000	F-14000	F-19000
861-05		4-4-6031-2	1	Cargo	2217	2218	F-12000	F-14000		
861-06		4-4-6031-1	1	F-12000	F-12000L	F-14000	F-14000HD			
861-07	88HU4865AA	5-4-7171-1	1	Cargo	1419	1422	1618			
861-13	BS5T7089AA	4-4-6151-1	1	Cargo	1617					
861-14		4-4-6151-2	1							
861-15	87HU4851AA	4-4-6182-2	1	Cargo	1117	1317	2217	F-11000		

**General Motors**

Number			Figer	Aplication						
ZDC	Original	Spicer								
861-03	9298998	3-4-3091-2	1	D63/78	D60					
861-07	93276288	5-4-7171-1	1	12-170	14-190	15-190	16-220			
861-11	94648404	4-4-2051-1	1	A68	AC64	D64	D98			
861-12	52270198	4-4-2051-2	1	Perkins	A68	AC64	D95	D98		

**Mercedes Benz**

Number			Figer	Aplication						
ZDC	Original	Spicer								
861-01	000.410.0430	04-852-1	1	1218	1418	1618	2318	OF1620		
861-02	000.410.1630	250-4-871-1	4	1938	2638					
861-03	000.410.0330	3-4-3091-2	1	809	812	912				
861-06	000.410.1230	4-4-6031-1	1	712C	914C	1214C	1214K	LO914		
861-09	000.410.0930	04-898-1	1	L1620	L1648	L1651	L1720			
864-09	352.410.0130	01-246C	2	1113	1313	1316	1513	2013		
864-10	312.410.1430	01-247C	2	312	321	1111				
864-11	336.410.0030	01-377C	2	L1519	L2219	LK1519	LK2219	LS1519	LS2219	
864-12	360.350.0445	01-379C	3	L1519	L2219	LK1519	LK2219	LS1519	LS2219	
864-13	360.350.0045	01-294C	3	1113	1313	1513	2013	O352	O362	
864-14	327.350.0245		3	312	321	1111				
864-15	000.144.0745	250-1-15	2	L1938						

# HTSP

Tel./Fax:0086-532-83186579  
 Hotline:0086-15063010750  
 E-mail:sales@zdcardan.com

## Scania

Number			Figer	Aplication						
ZDC	Original	Spicer								
861-08	1422430	4011	1	113H	113P	113R	113T	114	124	P500
	1319645			R660						
864-16	273020		2	L1111	R642					

## Volkswagen

Number			Figer	Aplication						
ZDC	Original	Spicer								
861-05		4-4-6031-2	1	14-170	16-170					
861-06	2VF521211	4-4-6031-1	1	12-140	13-150	13-170	13-180	15-170		
861-07	TE3521211	5-4-7171-1	1	14-120	16-210	16-220	22-210			

## DINA

Number			Figer	Aplication						
ZDC	Original	Spicer								
861-16		10-4-451	6	631	661-G2	8000	5000	6310		

## KENWORTH

Number			Figer	Aplication						
ZDC	Original	Spicer								
861-16		10-4-451	6	W-900	K-500	T-800				

## MASA

Number			Figer	Aplication						
ZDC	Original	Spicer								
861-16		10-4-451	6	STRADA						



**HTSP**

Tel./Fax:0086-532-83186579

Hotline:0086-15063010750

E-mail:sales@zdcardan.com

**Other**

Number			Figer	Aplication										
ZDC	Original	Spicer												

Número		Figura	Número Dientes	Diámetro Estrías		Huecos para Fijación			Altura		Diámetro			
Cod.	Competición			Mayor	Menor	Posición	Número	Diámetro	Fijación	Total	Piloto	Perforación	Giro	
	4-4-6031-2	1	10	44,4	39,5	53,8	113,5	4	F10,0	51,0	98,0	-	-	153,0
	5-4-7171-1	1	34	45,0	42,3	63,5	122,0	4	R3/8"	57,0	114,0	-	-	169,0
	3-4-3091-2	1	10	38,1	34,7	54,0	94,0	4	F10,0	51,0	103,0	-	-	134,0
	01-247C	2	14	40,6	35,7	-	-	6	F10,3	46,0	62,0	82,5F	101,0	120,0
	01-246C	2	14	40,6	35,7	-	-	8	F10,3	45,0	63,0	82,5F	112,0	130,0
	3016Z	2	18	35,2	31,2	-	-	8	F10,3	42,0	50,0	82,5F	112,0	130,0
	01-377C	2	26	55,2	50,1	-	-	8	F12,0	51,01	72,0	90,0F	130,0	150,0
	-	2	10	46,2	41,2	-	-	6	F10,3	45,0	65,0	82,5F	101,6	120,0
	01-336	2	16	46,2	41,2	-	-	8	F10,3	46,0	68,0	82,5F	112	130,0
	-	2	16	46,2	41,2	-	-	8	F12,0	46,0	62,0	90,0M	130,0	150,0
	-	2	13	37,0	33,2	-	-	8	F10,3	45,0	62,0	82,5F	112,0	130,0
	-	2	26	55,2	50,1	-	-	6	F10,3	39,0	63,0	82,5F	101,6	120,0
	01-294C	2	26	55,2	50,1	-	-	8	F10,3	39,0	65,0	82,5F	112,0	130,0
	-	2	14	40,6	35,7	-	-	8	F10,3	45,0	63,0	82,5F	12,0	130,0
	01-379C	2	26	55,2	50,1	-	-	8	F12,0	45,0	65,0	90,0M	130,0	150,0
	-	2	26	55,2	50,1	-	-	8	F12,0	39,0	75,0	90,0M	130,0	150,0
	04-852-1	1	34	45,5	42,3	63,5	122,0	4	RM10	57,0	114,0	-	-	169,0
	1-117XS	2	46	60,0	-	-	-	4	15,0	-	90,0	-	70,0	180,0
	04-410C	2	24	69,8	-	-	-	-	10,0	-	135,0	-	150,0	217,0
	4011	2	24	69,8	-	-	-	-	10,0	-	135,0	-	150,0	217,0
	250-1-15	2			-	-	-	-	-	-		-		
	4011	1	24	59,8	56,4	85,0	132,0	4	RM12	58,0	113,0	-	-	215,0

## Partes para Eje Cardan - Horquillas de Tubo

### DIMENSIONAL HORQUILLAS DE TUBO

FIG. 01

Horquilla de Tubo con Bloqueo Externo

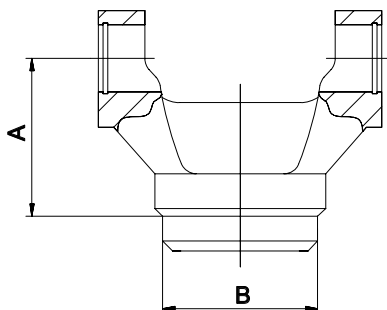


FIG. 02

Horquilla de Tubo con Bloqueo Interno

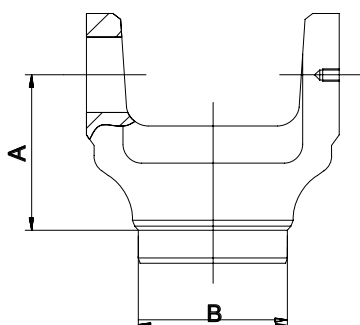
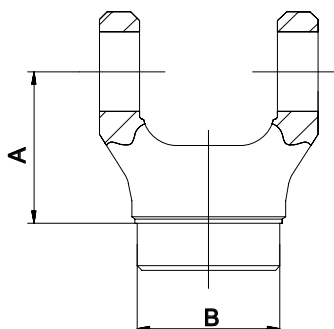


FIG. 03

Horquilla de Tubo con Bloqueo Externo por Tornillos





**HTSP**

Tel./Fax:0086-532-86886350

Hotline:0086-15063010750

E-mail:sales@zdcardan.com

**Mercedes Benz**

Number			Figer	Aplication						
ZDC	Original	Spicer		321	1111	1313	1516	L608D	O362	
862-01	341.411.0205	26-118	3	321	1111	1313	1516	L608D	O362	
862-03	530.516.8503	3-28-537	1	809	812	912	L709	L710		
862-05		4-28-307	1	712C	914C	1214C	1214K	LO914		
862-06	B95305168501	5-28-327	2	1218	1418	1520	1521	2318	OF1620	OH1421
862-09		26-215C	1	2213	2220	2318	2423K	O400UL	OH1628L	
862-11		3205	1	1932	1933	1934	1935			
862-15		90-28-17	1	1214C	1620	L1645	L1720	OH1421L		
862-16	3364110105	26-227	1	L1519	L2219	LK1519	LS1519	O326	O364	
862-17		3-28-97	1	L709	L710					
862-19		6.5-28-117	2	O400UPA	OH1625L	1628L	1636L			
862-20		6.5-28-127	2	O400RS	RSD	RSE	OH1636L			

**Navistar**

Number			Figer	Aplication						
ZDC	Original	Spicer		4900						
862-06		5-28-327	2	4900						

**Scania**

Number			Figer	Aplication						
ZDC	Original	Spicer		BR111	F112	K112	L101	LS101	R112	S112
862-07	169113	26-135	1	BR111	F112	K112	L101	LS101	R112	S112
862-08	207896	26-163	1	K112	KT112	L113	LKT141	R112	T112	T142
862-20		6.5-28-127	2	R112	T112	T113				

**Volkswagen**

Number			Figer	Aplication						
ZDC	Original	Spicer		D400	69 until..					
862-02		2-18-1697	1	D400	69 until..					
862-03		3-28-537	1	7.110	9.140	11.130	14.140			
862-04		3-28-567	1							
862-05		4-28-307	1	12-140	14-150	14-170	12-170TB	16-170	22-140	22-160
862-06		5-28-327	2	14-210	15-210	17-220	22-210	24-210	24-220	26-300
862-10		4-28-637	1	10-140T	13-150	13-170	12-170BT	14-170	16-170	22-160
862-14		2-28-357	1	Kombi 1600		Pick-up Kombi		75 a 77		
862-15		90-28-27	1	16-200	17-210					
862-17		3-28-97	1	D-700	P-700	7-100	8-100			



# HTSP

Tel./Fax:0086-532-83186579

Hotline:0086-15063010750

E-mail:sales@zdcardan.com

## Volvo

Number			Figer	Aplication						
ZDC	Original	Spicer								
862-09		26-215C	1	N10	N12	NL10	NL12			
862-19		6.5-28-117	2	N10	N12	NL10	NL12			
862-20		6.5-28-127	2	N10	N12	NL12	B10R			

## Other

Number			Figer	Aplication						
ZDC	Original	Spicer								
862-18		3-28-267	1							
862-21	6C-22274J	6C	1							
862-22	519422D1	9C	1							

Número		Figura	Encaje de la Cruceta		Encaje de Tubo "B"		Altura "A"	Diá. Giro "F"
Cod.	Competición		Diámetro	Tope	Tubo	Diámetro		
	3-28-97	1	30,1	106,2	76,2 x 2,10	72,3	54,0	112,8
	3-28-537	1	34,9	106,2	88,9 x 2,10	85,0	51,0	112,8
	2-28-437	1	27,0	81,7	76,2 x 2,10	72,3	40,0	88,1
	4-28-307	1	34,9	126,1	88,9 x 2,40	84,4	55,0	133,4
	5-28-327	2	47,6	134,9	101,6 x 3,40	95,0	76,0	135,0
	90-28-27	1	41,2	126,0	101,6 x 3,40	95,0	76,0	136,7
	6,5-28-127	2	49,2	191,8	114,3 x 6,5	101,7	87,0	191,8
	26-118	3	38,0	57,0	70,0 x 3,00	74,0	68,0	98,0
	26-227	1	45,0	120,3	90,0 x 4,00	82,0	99,5	130,0
	26-135	1	44,0	149,0	88,9 x 4,00	81,0	76,0	159,0
	26-163	1	50,0	164,0	95,0 x 5,00	85,4	85,0	177,0
	4-28-637	1	34,9	126,1	88,9 x 4,00	81,5	55,0	133,4
	3205	1				98	115,0	
	26-215C	1				85,5	95	



## Partes para Eje Cardan - Horquillas Hembra

### DIMENSIONAL HORQUILLAS HEMBRA

FIG. 01

**Horquilla Hembra Deslizante con Fijación Externa**

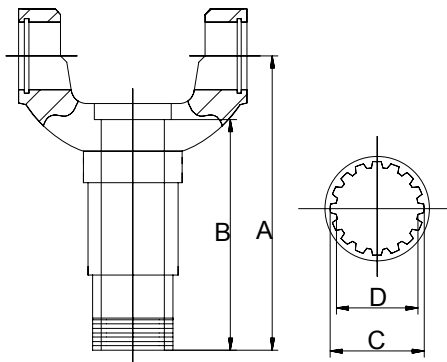


FIG. 02

**Horquilla Hembra Deslizante con Fijación Interna**

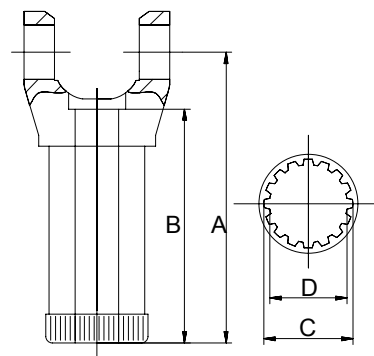


FIG. 03

**Horquilla Hembra Deslizante con Fijación Externa con Tornillo**

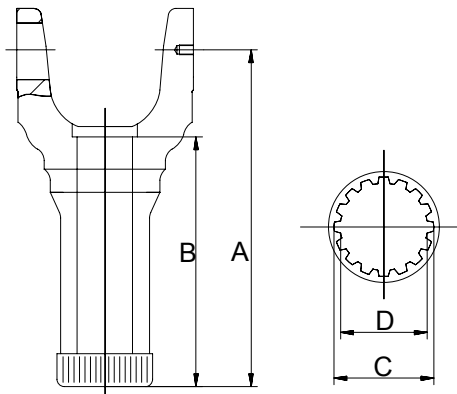


FIG. 04

**Horquilla Hembra Rectificada con Fijación Externa con Tornillo**

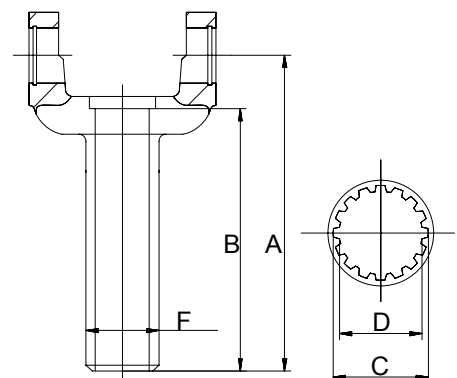
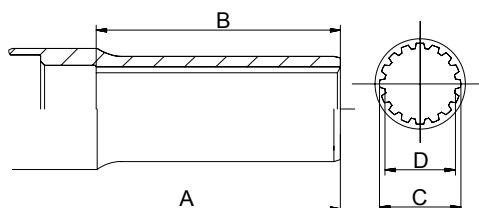


FIG. 05

**Hembra para Soldar en Tubos**



**HTSP**

Tel./Fax:0086-532-83186579

Hotline:0086-15063010750

E-mail:sales@zdcardan.com

**Agrale**

Number			Figer	Aplication						
ZDC	Original	Spicer								
863-03	6006009073007	3-3-118KX1	1	1800MA	4500D	5000D	5010	6000D	7000D	7500TD
863-06		3-3-1601kx1	1	6.0TCA	7500DTX	8500	MA7.5T	MA8.5T		
863-08	6003009006006	2-3-14501kx	4	1600D	1800D	4500D	5000D	5010		

**Ford**

Number			Figer	Aplication						
ZDC	Original	Spicer								
863-03	90TU4841A	3-3-118kx1	1	Turbo F1000						
863-06	BD2T4841A	3-3-1601kx1	1	F-750	F-7000	F11000	F21000	Cargo	1113	1415
863-07	BC8T4841A	3-3-788kx	1	F-350	F-400	F-600	Diesel and Petrol			
863-08	BD2Y4841A	2-3-14501kx	4	F-2000	F-4000					
863-11	88HU4841A	5-3-2261kx	3	Cargo	1400	1422	1600	2322	2630	3224
863-14	BFOX4841A	6-3-2651kx	3	Cargo	1521	1624	2321	2422	3021	3530
863-15	BF5X4841A	6.5-3-1371kx	3	Cargo	4030					
863-17	85HU4841A	4-3-1241kx	1	F-22000	Cargo	1114	1314	1514	1615	2217
863-18	TAAM4841A	2-3-1421kx	1	Jeep	Pick up	Rural	F-75			
863-19	BC8Y4841A	2-3-128kxs	1	F-350	until 12/71					
863-23		2-3-8251x	4	C4	AOD	T5	4R70			

**General Motors**

Number			Figer	Aplication						
ZDC	Original	Spicer								
863-03	93258552	3-3-118kx1	1	D-20	Bonanza	Turbo				
863-04	3707216	3-3-1481kx	1	C64-C68	D64-D78	Turbo	Granblazer	Silverado		
863-06	9307587	3-3-1601kx1	1	D60	D64	D65	D68	D74	D75	D78
863-11	93276293	5-3-2261kx	3	14-190	15-190	16-220				
863-17	94265914	4-3-1241kx	1	A65-A98	C65-C98	D64	D98			
863-19	9317578	2-3-128kxs	1	C10	C14	C15	Veraneio			
863-24		2-3-12051X	4	700R4						

**Iveco**

Number			Figer	Aplication		
ZDC	Original	Spicer				
863-11		5-3-2261kx	3	Eurocargo 150E20T		Eurocargo 160E23N
863-17		4-3-1241kx	1	Eurocargo 120E15N		

**HTSP**

Tel./Fax:0086-532-83186579

Hotline:0086-15063010750

E-mail:sales@zdcardan.com

**Mercedes Benz**

Number			Figer	Aplication						
ZDC	Original	Spicer		321	1111	1313	1516	L608	O362	
863-01	344.410.0188	03-339XS	2							
863-02	335.410.0308	03-423XS	1	L1519	L2219	LK1519	LK2219	LS1519	LS2219	O364
863-03		3-3-118kx1	1	L709	L710					
863-05	690.410.0108	3-3-2041KX	1	Spinter						
863-06	688.410.0008	3-3-1601kx	1	809	812	912				
863-09		03-514XL	1	1621	O370	O371				
863-11	384.410.0008	5-3-2261kx	3	1218	1418	1618	OF1620	OH1318	OH1520	OH1621
863-14		6-3-2651kx	3	1623	1723	1723S	O400	OH1623G		
863-15		6.5-3-1371kx	3	O400RS	O400RSO		OH1636L			
863-16		6.5-3-1351kx	3	OH1625L	OH1628L	OH1636L				
863-17		4-3-1241kx	1	712C	914C	L914	LO814	LO914	1214C	1214K
863-20	695.410.0008	90-3-21x	1	1214L	1215L	1218	1621L	L1720	OF1721	OH1420
863-27		170-55-41X	5	2428						
863-28		250-55-31X	5	1632	2638					

**Navistar**

Number			Figer	Aplication						
ZDC	Original	Spicer		4900	4900	9200	9800			
863-11		5-3-2261kx	3	4900						
863-14		6-3-2651kx	3	4700	4900	9200	9800			
863-15	1672507	6.5-3-1371kx	3	9200	9800					

**Scania**

Number			Figer	Aplication						
ZDC	Original	Spicer		P40	BR111	F112	K112	L101	L110	LK111
863-10	294665	03-466X	1	P40						
863-12	173766	03-334XL2	1	LS110	LS111	R112	R142	S112	T112	
				L110	L111	LK111	LK140	LKS111	LKS141	LKT141
863-13	207989	03-541XL	1	LS110	LS111	LT111	R112	T112	T142	
863-15		6.5-3-1371kx	3	R112	T112	T113				

**Volvo**

Number			Figer	Aplication						
ZDC	Original	Spicer		B10R	N10	N12	NL10	NL12		
863-15	68885656	6.5-3-1371kx	3	B10R	N10	N12	NL10	NL12		
863-19	6885530	2-3-128KXS	1	B10M	B58	Fan				
863-27		170-55-41X	5	FH12	FM10	FM12	NH12			

**HTSP**

Tel./Fax:0086-532-83186579

Hotline:0086-15063010750

E-mail:sales@zdcardan.com

**Volkswagen**

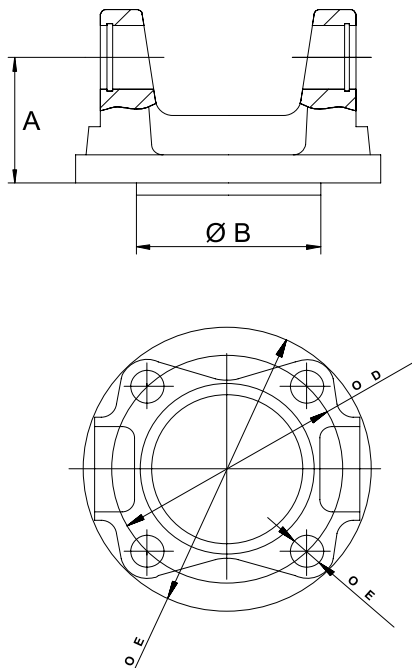
Number			Figer	Aplication						
ZDC	Original	Spicer		6-80	6-90	6-140	7-90s	11-130	11-160	13-130
863-05	2994940	3-3-2041kx	1	7-110S	8-140	8-150	9-140	11-130	11-160	13-130
863-06	T1521353	3-3-1601kx1	1	14-140	D-950	E-13	L-18			
863-07	2994926	3-3-788KX	1	D-700	P-700	7-100	8-100			
863-08	4128410	2-3-14501kx	4	P-400						
863-11	TE3521353	5-3-2261kx	3	14-200	14-210	15-210	16-220	22-210	24-250	26-300
863-14		6-3-2651kx	3	16-300	17-300	23-220	24-220	24-250	26-300	35-300
863-15	68885656	6.5-3-1371kx	3	40-300						
863-17	T2D521353	4-3-1241kx	1	12-140	12-170	13-150	14-150	14-170	16-170	22-160
863-18	211501328-1	2-3-1241kx	1	Kombi 1600		Pick up	Van	75-77		
863-19	2994948	2-3-128kxs	1	D-400						
863-20	2TG521353	90-3-21x	1	16-200	17-210					
863-21		03-312XS	1	6-140	6-80	6-90	7-90S			

Número		Figura	Encaje de la Crucetas		Altura	Estrías	Diámetros Estrías		Número Estrías	Diámetro del Cuerpo
Cod.	Competición		Diámetro	Tope			Mayor	Menor		
							"A"	"B"		
	2-3-128KX5	1	27,0	81,7	13,0	107,0	35,0	30,0	16	-
	2-3-14501KX	1	27,0	92,0	513,0	13,0	35,0	30,0	16	-
	3-3-788KX	1	30,1	106,2	13,0	100,0	34,9	30,0	16	-
	3-3-1601KX	1	34,9	106,2	173,0	138,0	40,0	34,5	16	-
	6,5-3-1371KX	3	49,2	191,8	301,0	22,0	76,2	66,0	16	-
	6,5-3-1351KX	3	49,2	191,8	260,0	183,0	76,2	66,0	16	-
	4-3-1241KX	1	34,9	126,1	176,0	144,0	44,4	38,0	16	-
	5-3-2261KX	3	47,6	134,9	274,0	197,0	50,8	44,0	16	-
	3-3-2041KX	1	30,1	106,2	143,0	112,0	38,1	33,0	16	-
	3-3-118KX	1	30,1	106,2	165,2	133,0	38,1	33,0	16	-
	90-3-21X	1	41,2	126,0	256,0	198,0	49,2	46,0	30	-
	03-466X	1	48,0	160,9	268,0	206,0	63,5	55,0	16	-
	250-55-31X	5	-	-	175,0	153,0	97,5	92,7	38	-
	3-31481KX	1	30,1	106,2	145,0	114,0	35,0	30,0	16	-
	03-339X5	2	38,0	57,0	213,0	165,0	50,8	41,0	16	-
	03-423X5	1	45,0	120,3	274,0	216,0	63,5	55,0	16	-
	03-334XL2	1	44,0	149,0	237,0	188,0	50,8	44,0	16	-
	03-541XL	1	50,0	164,0	268,0	207,0	62,2	52,3	12	-
	03-514XL	3	-	-	268,0	-	65,1	55,6	26	-
	03-312X5	2	-	-	143,1	-	38,1	33,0	16	-
	80930800	4	-	-	128,5	-	35,0	32,5	26	-
	80930900	4	-	-	128,5	-	35,0	32,3	26	-

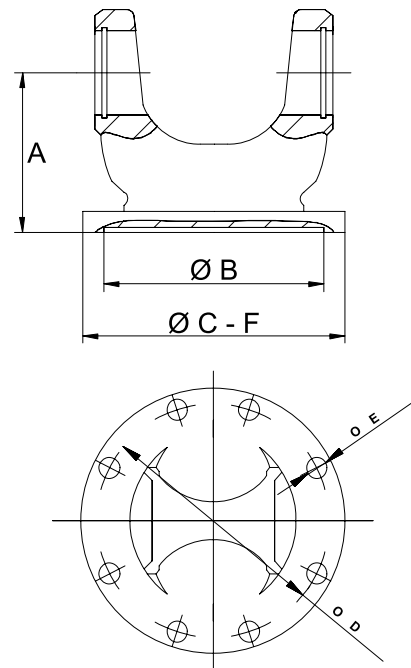
## Partes para Eje Cardan - Bridas de Acople

### DIMENSIONAL BRIDAS DE ARTICULACIÓN

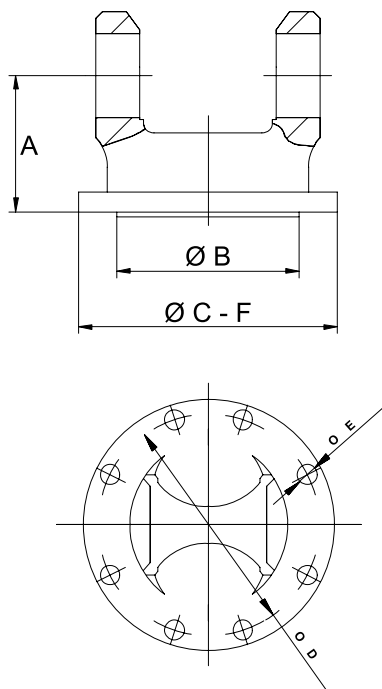
**Brida de Articulación Rectangular con Bloqueo Externo**



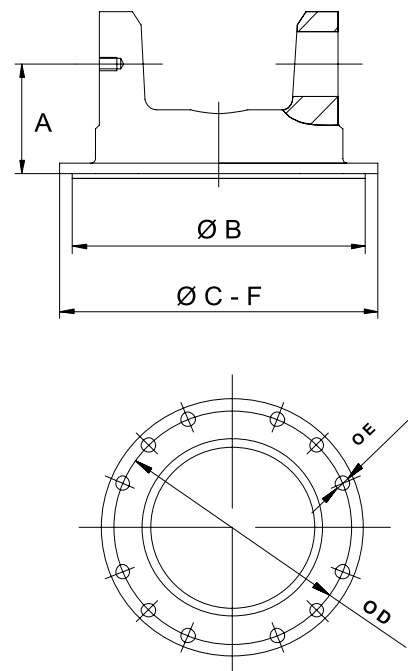
**Brida de Articulación Circular con Bloqueo Externo**



**Brida de Articulación Rectangular con Bloqueo Interno**



**Brida de Articulación con Bloqueo por Tornillo**



**HTSP**

Tel./Fax:0086-532-83186579

Hotline:0086-15063010750

E-mail:sales@zdcardan.com

**Ford**

Number			Figer	Aplication						
ZDC	Original	Spicer								
864-05	BCOCO4866A	2-2-479	1	F350 56-77	F100 58-68					
864-20		3-2-1579	1							

**General Motors**

Number			Figer	Aplication						
ZDC	Original	Spicer								
864-05	7317985	2-2-479	1	A-10	A-14	C-10	C-14	C-15	D-14	

**Mercedes Benz**

Number			Figer	Aplication						
ZDC	Original	Spicer								
864-01	336.411.0011	02-334	2	L1519	L2219	LK1519	LK2219	O326	O331	O355
864-02	352.411.0011	3-2-1139	3	1113	1313	1513	2013	L608D	O362	
864-06	656.411.0311	XS180	4	AXOR	3344	3331Ak				
864-08	312.411.1111	02-251	3	L1111	LP321	O321				

**Scania**

Number			Figer	Aplication						
ZDC	Original	Spicer								
864-03	1672353	6.5-2-329	3	R112	T112	T113				

**Volkswagen**

Number			Figer	Aplication						
ZDC	Original	Spicer								
864-05	7317985	2-2-479	1	D400 69...						

**Volvo**

Number			Figer	Aplication						
ZDC	Original	Spicer								
864-03	6885644	6.5-2-329	4	N10	N12	NL10	NL12			

**Other**

Number			Figer	Aplication						
ZDC	Original	Spicer								
864-04		6.5-2-329-1	4							
864-07		6-2-739-1	4							
864-18		6.3-2-19-1	4							
864-20		4-2-679	1							

## Partes para Eje Cardan - Puntas

### DIMENSIONAL PUNTAS FIJAS Y DESLIZANTES

FIG. 01

**Punta Deslizante**

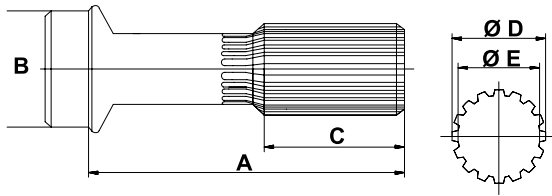


FIG. 02

**Punta Intermedia Deslizante para Rodamiento**

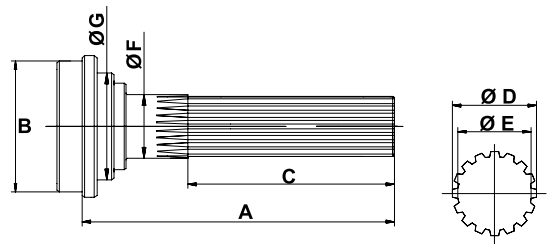


FIG. 03

**Punta Intermedia**

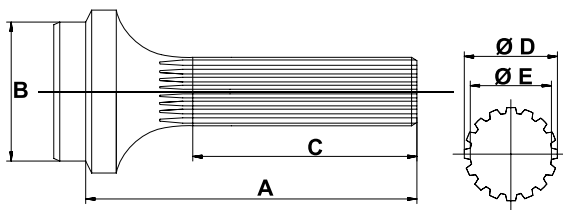


FIG. 04

**Punta Intermedia Deslizante para Rodamiento**

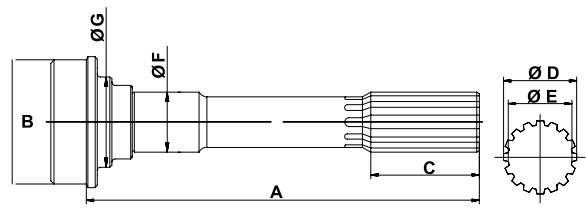


FIG. 05

**Punta Fija**

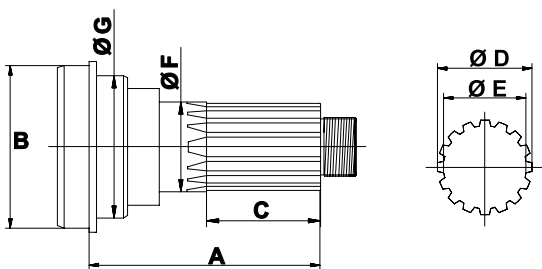
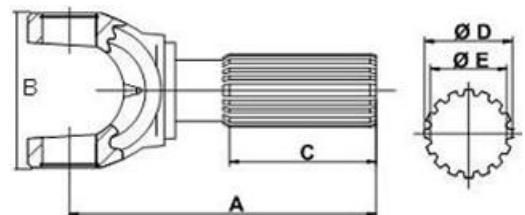


FIG. 06





**HTSP**

Tel./Fax:0086-532-83186579

Hotline:0086-15063010750

E-mail:sales@zdcardan.com

**Agrale**

Number			Figer	Aplication						
ZDC	Original	Spicer		1800MA	4500D	5000D	5010D	6000	7000	MA5.5T
865-01		3-40-1901	1	1800MA	4500D	5000D	5010D	6000	7000	MA5.5T
865-02		3-53-1811	1	1800MA	6000D	7000D	7500TD	MA555	Volare	
865-14		3-40-1571	1	6.0TCA	7500DTX	8500	MA7.5T	MAB5T		
865-27		2-40-1521	1	1600D	1800D	5000D	5010D			

**Ford**

Number			Figer	Aplication						
ZDC	Original	Spicer		Turbo	F-1000					
865-01		3-40-1901	1	Turbo	F-1000					
865-06		4-40-761	1	F-12000	F-14000	F-22000	Cargo	1215	1415	1617
865-07		5-40-1051	1	Cargo	1219	1419	1618	2221	2319	2425
865-08		6-40-621	1	Cargo	1521	1624	2324	2425	3021	3530
865-10		8-40-101	1	Cargo	4030					
865-13		90-53-11	5	Cargo	1419	1618	1619	2221	2319	2324
865-14		3-40-1571	1	F-22000						
865-16		3-53-451	2	F-750	F-7000	11000	21000	Cargo	1113	1415
865-17		4-53-61	2	Cargo	1114	1117	1116FTO	1215	1218	1225
				1314	1317	1415	1218FTO	1418	1514	1517
				1615	1617	1618	2217			
865-19		3-53-1371	2	F-350	F-600D	F-600G	F-11000			
865-20		3-53-1361	2	F-600						
865-21		53-1443	2	F-600D	F-600G	F-11000				
865-23		40-1408	1	Jeep	Rural	Pick up	F-75			
865-25		2-40-2423	1	Jeep	Pick up					
865-27		2-40-1521	1	F-1000G	F-1000D	F-1000T				
865-31		2-53-501	2	F-350	F-400	F-2000	F-4000			

**General Motors**

Number			Figer	Aplication						
ZDC	Original	Spicer		Turbo D20	Turbo Bonanza					
865-01		3-40-1901	1	Turbo D20	Turbo Bonanza					
865-06		4-40-761	1	A64-A98	C64-C98	D64-D98				
865-07		5-40-1051	1	12-170	14-190	15-190	16-220			
865-13		90-53-11	5	12-170	14-190	15-190	16-230			
865-16		3-53-451	2	D64	D65	D68	D74	D75	D78	
865-17		4-53-61	2	A64	A68	C64	C68	D64	D68	
865-19		3-53-1371	2	A14	A15	C14	C15	D14	D15	
865-20		3-53-1361	2	A40	C40	D40	Turbo D20	D68	6-100	6-150
				Gran Blazer		Turbo Bonanza				

**HTSP**

Tel./Fax:0086-532-83186579

Hotline:0086-15063010750

E-mail:sales@zdcardan.com

**General Motors**

Number			Figer	Aplication						
ZDC	Original	Spicer								
865-27		2-40-1521	1	A10	A14	A20	A24	C10	C14	D24
865-31		2-53-501	2	A20-A40	C20-C40	D20-D40	Blazer	S-10	Silverado	

**Iveco**

Number			Figer	Aplication						
ZDC	Original	Spicer								
865-06		4-40-761	1	Eurocargo 120E15N						
865-07		5-40-1051	1	Eurocargo 150E20N e 20T Eurocargo 160E23N e 23T						
865-12		250-53-11	5	Slider	450E 37	8190E 31				
865-13		90-53-11	5	Eurocargo 150E20N Eurocargo 160E23N						
863-25		250-82-31X	6	Slider	450E 37	8190E 31				

**Mercedes Benz**

Number			Figer	Aplication						
ZDC	Original	Spicer								
865-01		3-40-1901	1	709	710					
865-02		3-53-1811	1	L709	L710					
863-03		40-1445	3	1111	1113	1313	L608D	O321	O362	OF1313
865-04		54-442C	5	L1113	L1313	LK1113	LK2013	LS1513	OF1113	OF1313
865-05		54-556C	5	L331	L1519	L2219	LB2220	LPK331	LK2219	
865-06		4-40-761	1	712C	914	914C	1214C	1214K	L1114	LO814
865-07		5-40-1051	1	1418	1420	1520	1718	OF1620	OH1318	
865-08		6-40-621	1	1623	1723	O400	OH1623			
865-10		8-40-101	1	O400	OH1626					
865-12		250-53-11	5	1632	1634	1938	2428			
865-13		90-53-11	5	1214C	1218	1618	1718	L1620	OF1417	OF1721
865-14		3-40-1571	1	L709	L710	L809	L812	L912		
863-18		40-1560	3	1517	1520	L1519	LK1519	LS1519	O362	OH1419
865-21		53-1443	2	Sprinter						
865-24		90-40-11	1	1214S	1418	1648	L1720	OF1417	OH1420	OH1621L
863-25		250-82-31X	6	1632	1634	1938	2428	2638		
863-29		250-82-21X	6							

**Navistar**

Number			Figer	Aplication						
ZDC	Original	Spicer								
865-07		5-40-1051	1	4900						



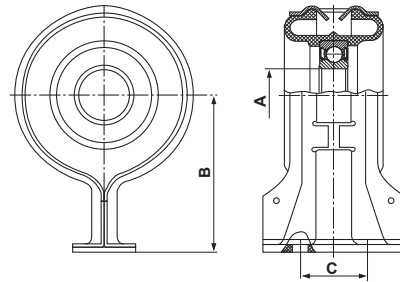
# HTSP

Tel./Fax:0086-532-83186579  
 Hotline:0086-15063010750  
 E-mail:sales@zdcardan.com

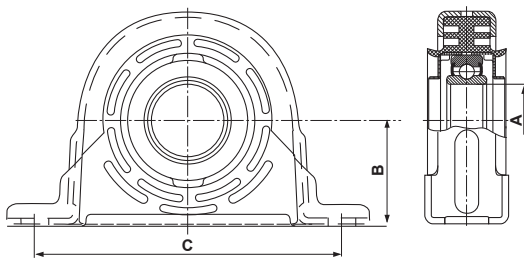
## Other

Number			Figer	Aplication						
ZDC	Original	Spicer								
865-30		6-53-201	2							
865-32		40-612	1							
865-35		3-M53-008	2							

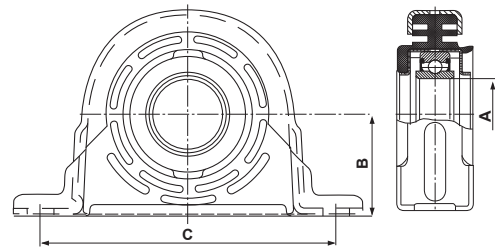
## Center Bearing / SOPORTE CARDAN



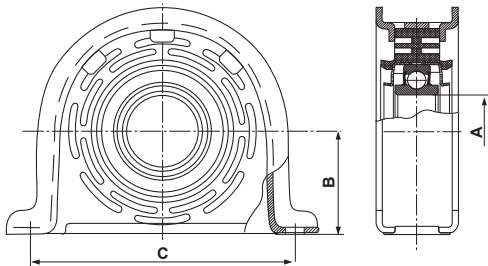
Type 1



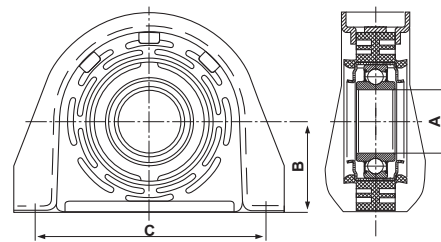
Type 2



Type 3



Type 4



Type 5

■ For American Vehicles

KML No.	Spicer No.	Type	Boundary dimensions						Flinger		Bearing No.
			A		B		C		Part No.	Qty.	
			Inch	mm	Inch	mm	Inch	mm			
HB206FF	210527X	1	1.1811	30	3-1/2	88.9	1-1/2	38.1		1	6206-2RS
HBD206FF	211590-1X	3	1.1811	30	1-61/64	49.6	5-57/64	22.61	231696	1	6206-2RS
HB88107A	211139X	3	1.3780	35	2-1/4	57.1	6-5/8	168.28			88107
HB88107B	210088-1X	3	1.3780	35	2-15/64	56.7	6-5/8	168.28	230118	1	88107
									230121	1	88107
HB88107C	210090-1X	3	1.3780	35	2-15/64	56.7	6-5/8	168.28	230118	2	88107
HB88107D	210367-X	3	1.3780	35	2-15/64	56.7	6-5/8	168.28	230141	1	88107
									98-1473	2	88107
HB88107E	210370-1X	3	1.3780	35	2-15/64	56.7	6-5/8	168.28	230141	1	
									230104	1	88107
									98-1473	1	

## Center Bearing / SOPORTE CARDAN

■ For American Vehicles

KML No.	Spicer No.	Type	Boundary dimensions						Flinger		Bearing No.
			A		B		C		Part No.	Qty.	
			Inch	mm	Inch	mm	Inch	mm			
HB88508	211098-1X	4	1.5748	40	2-1/2	63.5	6-5/8	168.28			88508
HB88508A		2	1.5748	40	2-1/4	57.15	6-5/8	168.28			88508A
HB88508AA	210873-1X	2	1.5748	40	2-1/4	57.15	6-5/8	168.28	231004	2	88508A
HB88508AB	210866-1X	2	1.5748	40	2-1/4	57.15	6-5/8	168.28		1 1	88508A
HB88508B	210433-1X	4	1.5748	40	2-1/2	63.5	6-5/8	168.28	230124 230209	1 1	88508
HB88508C	210140-1X	4	1.5748	40	2-1/2	63.5	6-5/8	168.28	230207 230208	1 1	88508
HB88508D	210144-1X	4	1.5748	40	2-1/2	63.5	6-5/8	168.28	230207 230208	2 1	88508
HB88508E	210391-1X	4	1.5748	40	2-1/2	63.5	6-5/8	168.28	230124	2	88508
HB88509	210969X	4	1.7717	45	2-23/32	69.06	7-5/8	193.68			88509
HB88509A	210084-2X	4	1.7717	45	2-23/32	69.06	7-5/8	193.68	230151	2	88509
HB88509B	211172-1X	4	1.7717	45	2-23/32	69.06	7-5/8	193.68	230151 230363	2 1	88509
HB88509C	210207-1X	4	1.7717	45	2-23/32	69.06	7-5/8	193.68	230151 230363	1 1	88509
HB88510	210121-1X	4	1.9685	50	2-13/16	71.45	7-5/8	193.68	230166	2	88510
HB88510S*	210881-1X	4	1.9685	50	2-13/16	71.45	7-5/8	193.68	230166	2	88510
	5003323	5	2.3622	60	3-3/8	85.73	8-5/8	219.08	230746	2	88512
HB88512A	210661-1X	5	2.3622	60	3-3/8	85.73	8-5/8	219.08	230746	2	88512
HB88512AS*	210875-1X	5	2.3622	60	3-3/8	85.73	8-5/8	219.08	230746	2	88512

Note: "\*" means reinforcement rib housing

